



CS2 SERIES CORDLESS SOCKET SYSTEM



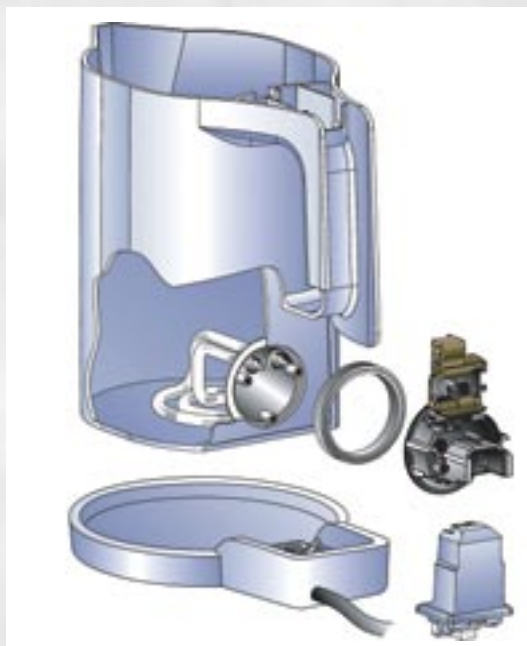
The CS2 Series is a unique cordless power supply connector which overcomes the traditional problems associated with this type of product. The use of a patented sliding shutter complies with the moisture ingress test and reduces the risk of access to live parts. Low resistance silver contacts give a clean make and break connection. Advanced features include a 94V-0 rated terminal enclosure and an integral cord grip on the CS21 version to accommodate both circular and flat flexible cords. This cord grip allows the design of a one part power base giving cost savings on mould tools, material and assembly.

Designed to directly interface to the internationally approved Otter X32-20 and X37 dry boil protectors, the CS2 series offers the most economical cordless system available worldwide.

TECHNICAL DATA

Approvals Rating:

EN	10.0 Amps at 250 Volts 50Hz
CSA	13.5 Amps at 120 Volts 60 Hz
UL	12.5 Amps at 120 Volts 60 Hz
Maximum Continuous Carry Current:	13.5 Amps
Flammability:	Flame Retardant Material
Terminals:	4.8mm x 0.8mm tabs



FEATURES

- Choice of three unit colours
- Integral cord grip
- Internationally approved
- Low resistance silver contacts
- One part system
- Unique patented shutter design
- Complies with Clause 15.102 of EN60 335-2-15

APPLICATIONS

- Jugs
 - Kettles
 - Water purifiers
 - Deep fat fryers
- } plastic and metal bodied

For detailed drawings, specific approvals data, samples and application test work, please contact our Sales Office.

"Otter" and the Otter logo are registered trademarks of Otter Controls Limited. The product(s) described here are subject to patents or patent applications worldwide.

OTTER CONTROLS LIMITED,
Hardwick Square South, Buxton, Derbyshire SK17 6LA, England.
Tel: +44 (0) 1298 762300 Fax: +44 (0) 1298 72664
Email: sales@ottercontrols.com www.ottercontrols.com
Approved to BS EN ISO 9001: 2000