



DA SERIES MOTOR PROTECTOR AND THERMAL SAFETY CUT-OUT



The DA Series is an evolution of the well proven Otter "Q" Series offering the same excellent over current and temperature protection for a wide range of 12 and 24 volt applications.

The DA is physically smaller than the Q but retains the unique Otter SNAP ACTION bimetal blade, ensuring a positive make and break switching action for enhanced contact life.

The DA also incorporates a series heater that gives added energy control to limit motor winding temperatures during potentially dangerous stall conditions.

The DA is available with a wide variety of terminal arrangements to provide flexibility of installation within the motor and is also designed for automated bowl feeding on production assembly lines.

TECHNICAL DATA

Voltage Range	9 to 30 Volts
Min. Switching Current*	5 Amps
Max. Switching Current*	25 Amps at 12 Volts
Max. Carry Current*	10 Amps at 24 Volts

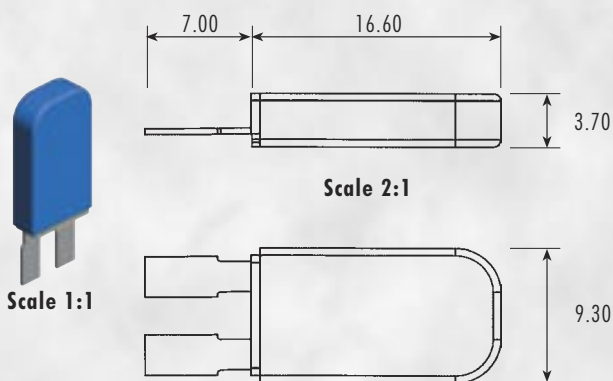
*Measurements carried out in 20°C ambient

Specification : Please refer to the DA Series Manual or contact Otter Controls Sales Department.

Terminal Material : Brass or Nickel Silver

Terminal Options : Folds and Crops are available on request with options for Welding and Soldering

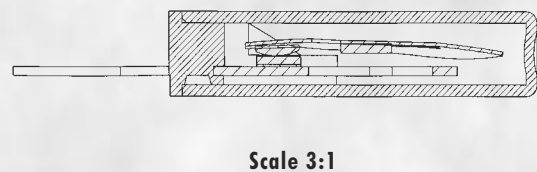
STANDARD CONFIGURATION



FEATURES

- Wide performance range
- Durable and robust construction
- Good energy regulation due to series heater
- High contact pressure across ambient temperature range
- Low ambient (-40°C) motor protection
- Meets all the requirements of 48 and 90 hour stall tests
- Terminal options
- Insulated covers, colour coded for customer identification
- Suitable for bowl feeding

DA CROSS SECTION



For detailed drawings, specific approvals data, samples and application test work, please contact our Sales Office.

"Otter" and the Otter logo are registered trademarks of Otter Controls Limited. The product(s) described here are subject to patents or patent applications worldwide.

OTTER CONTROLS LIMITED,
Hardwick Square South, Buxton, Derbyshire SK17 6LA, England.
Tel: +44 (0) 1298 762300 Fax: +44 (0) 1298 72664
Email: sales@ottercontrols.com www.ottercontrols.com
Approved to BS EN ISO 9001: 2000