



T SERIES MOTOR PROTECTOR AND THERMAL SAFETY CUT-OUT



Designed for 12 and 24V high current switching in automotive DC applications, utilising the well proven Otter 'Snap Action' principle.

The 'T' series offers a full range of current and temperature sensitive combinations to give optimum protection for and given situation.

Extending the Otter range to protect higher power motors the 'T' series is capable of switching currents in excess of 100 amps at 12V DC.



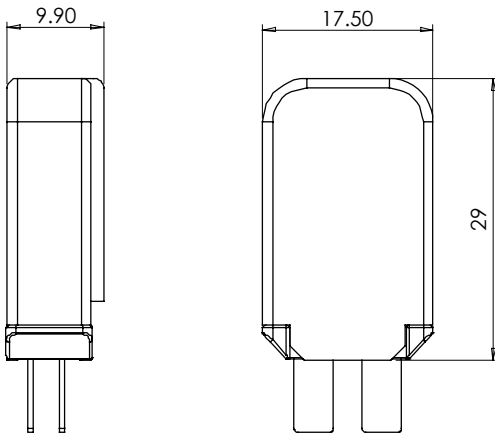
TECHNICAL DATA

DC Rating:	Up to 25A Continuous @ 20°C
DC Endurance:	33A @ 24V 35,000 cycles
Temperature Range:	Min 50°C to max 170°C
Ambient Temperature:	50°C above set temperature Or 200°C max.
Terminal Material:	Brass or Nickel Silver

FEATURES

- High Current Switching
- Insulated Cover Optional
- Robust Construction
- Positive 'Snap Action'
- Suitable for Automotive Environment
- Weld or Solder Terminals
- Wide Performance Range

STANDARD CONFIGURATION



APPLICATIONS

- Automotive Electric Motors
- Wound Components
- Wiring Harnesses
- Printed Circuit Boards

For detailed drawings, specific approvals data, samples and application test work, please contact our Sales Office.

'Otter' and the Otter Logo are registered trademarks of Otter Controls Limited.

The product(s) described here are subject to patents or patent applications worldwide.

OTTER CONTROLS LIMITED,
Hardwick Square South, Buxton, Derbyshire SK17 6LA, England.
Tel: 01298 762300 Fax: 01298 72664

Email: sales@ottercontrols.com

Approved to BS EN ISO 9001