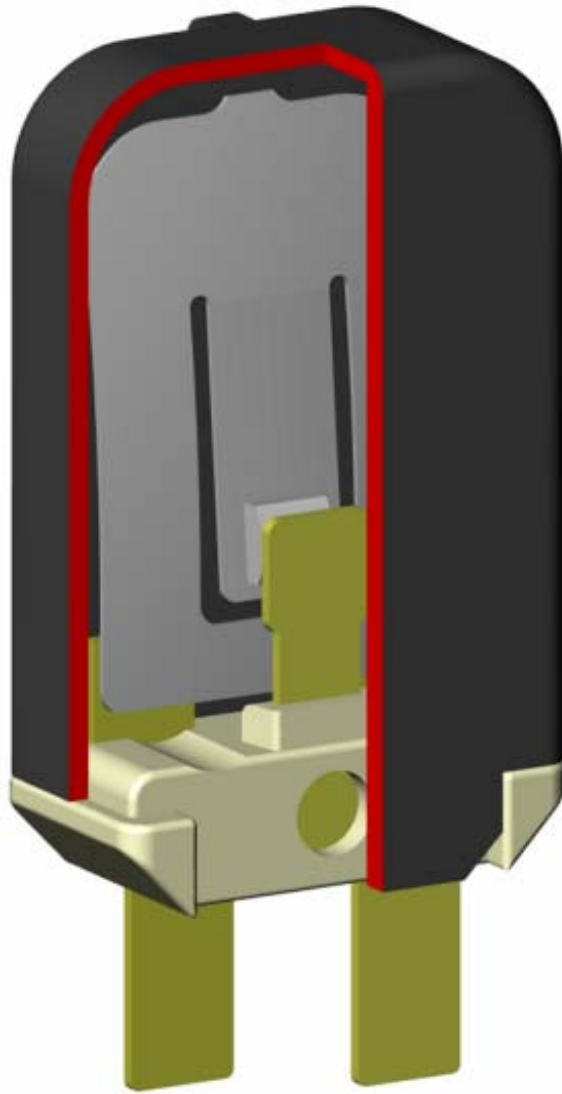

the T series



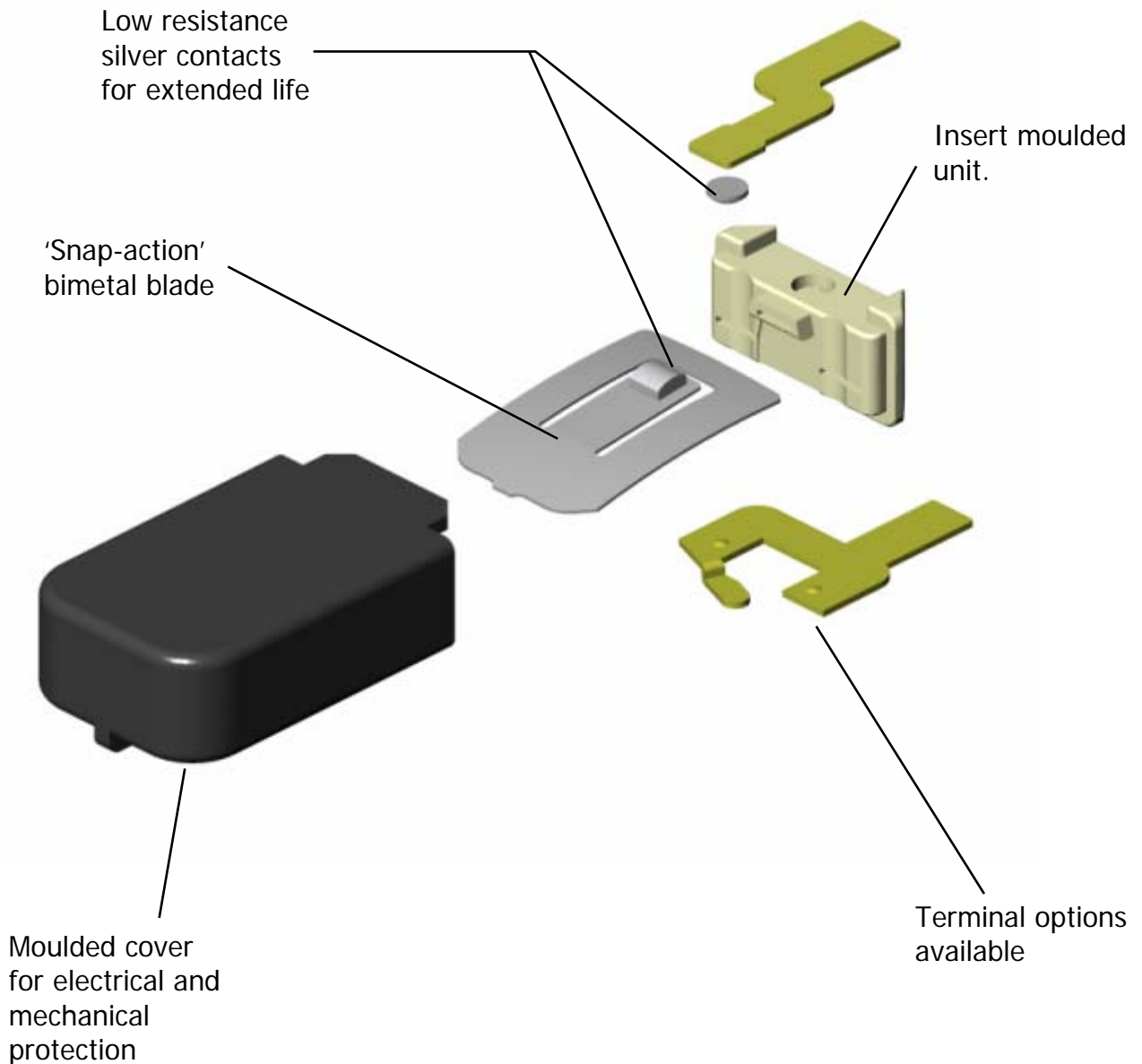
high power motor protector



T series design



Designed for 12 volt and 24 volt high current switching in automotive DC applications, utilising the well proven Otter 'snap-action' principle.



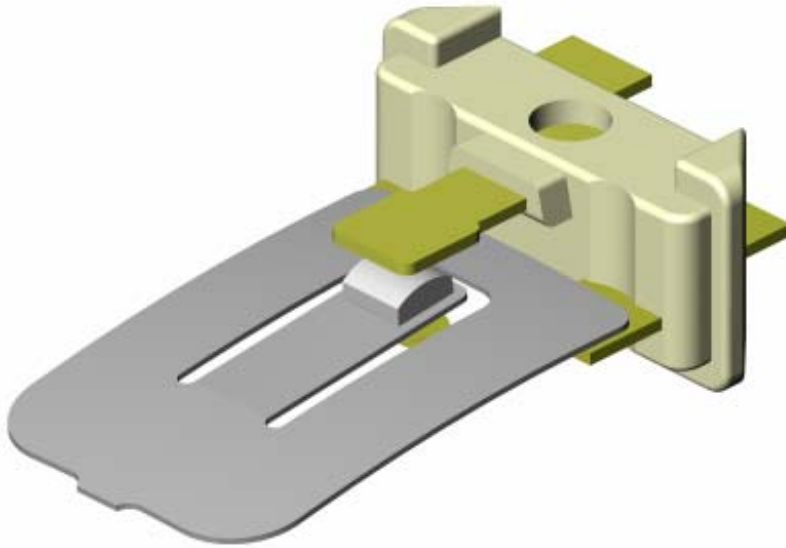
The 'T' series offers a full range of current and temperature sensitive combinations to give optimum protection, extending the Otter range to protect higher powered motors.



T series in operation



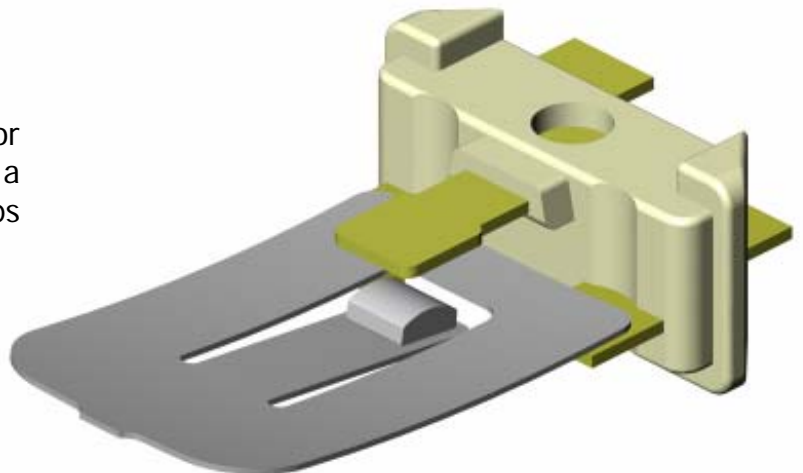
T contacts closed



In normal operation current flows through the bimetal blade. When a fault condition occurs, the increased current flow through the blade raises the temperature, which snaps open breaking the circuit.

T contacts open

Circuit is broken, allowing motor winding temperature to cool to a safe level before the blade snaps back and the contacts close.





T engineering specification



The following data gives a brief outline of the T series characteristics, materials used and endurance capability.

1. Normal operating voltage: 12V: (9 - 15V)
24V: (18 - 32V)
2. Rated switching current: 12V: 20 - 100A
24V: 20 - 25A
3. Operating ambient temperature range: - 40 to +80°C
4. Operating characteristics at 20±3°C: See. T/C curves over page for full operating range.
Continuously rated current up to 25Amps.
5. Remake characteristics: above 80°C
6. Voltage drop: max 200mV
7. Insulation resistance: 1MΩ min. at 500V
8. Terminal materials: T – Brass (Z108)
(63% Cu, Rem Zn)
9. Unit material: Glass filled PA66
(Latamid 66 H2 G/25-V0 CT1)
10. Cover material: Glass filled PA66
(Technyl A216 V30)
11. Contact material: 99.9% Ag (Surface)
CuNi30Fe (Backing)
12. Endurance: 33A @ 24V 35,000 cycles

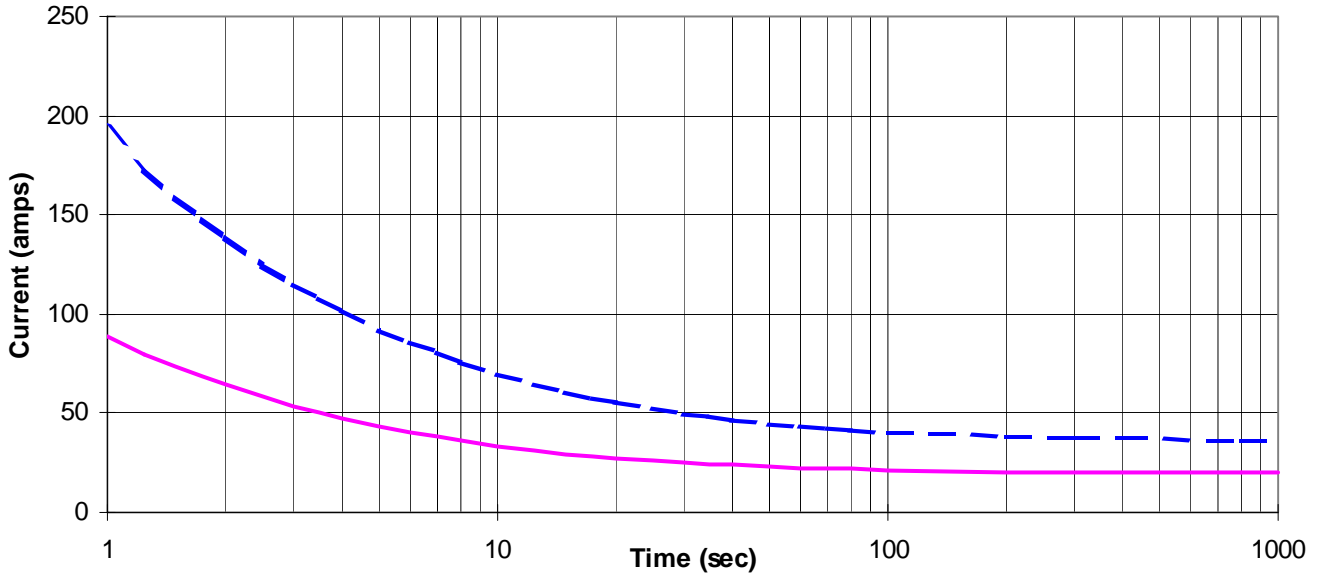
Full material content IMDS data is held at www.mdsystem.com. Please contact imds@ottercontrols.com for details.



T outline



T series performance range @ 20°C



T Nomenclature

1	2	3	4	5	6	7	8	9	10
Switch Range	Unit Type	Cover Type	Bimetal Grade	Bimetal	Terminal Arrangement [†]	Special Additions	Setting Method	Checking Instructions	Bimetal Feature
T	A 0.8mm Nickel Silver	0 No cover	B		O No fold or crop	O No additions	A Air set	O No instructions	+ Narrow centre leg
	6 Brass long/hooked leg	1 Unvented, side lugs	C		A Detail fold	Z Greased contacts	C Cabinet	C T/C check and special ident	- Wide centre leg
	8 Brass short leg	2 Unvented, click cover	E		B Crop and fold		O Oil set	L Special ident	* Either can be used
		3 Unvented	F		D Detail crop		T T/C set	T T/C check	
		5 Vented one side	J		F Detail fold				
		7 Vented both sides	N						

Examples of production specifications

T60E*F0TC+ BR 55A B3.1-4.8 M1.4-9.0

T63C*DZC0- BR 130±10 A80



OTTER CONTROLS LIMITED, HARDWICK SQUARE SOUTH, BUXTON, DERBYSHIRE, SK17 6LA, UK

Tel: +44 [0] 1298 762300 Fax: +44 [0] 1298 72664

www.ottercontrols.com e-mail: sales@ottercontrols.com

Page - 4

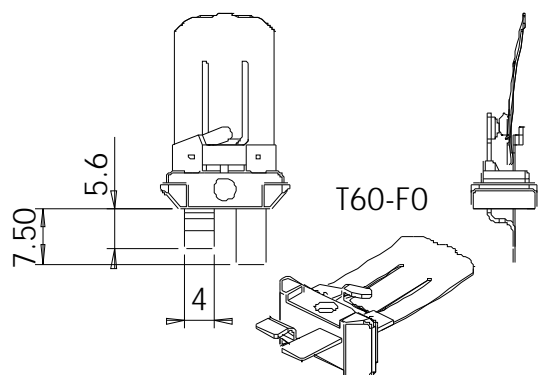
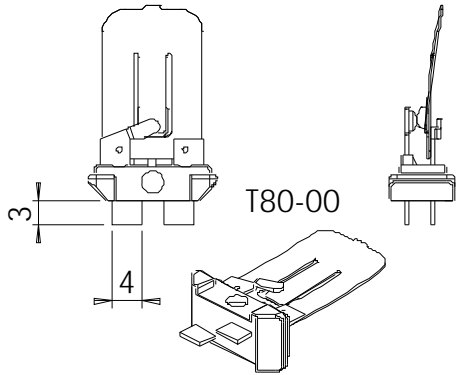
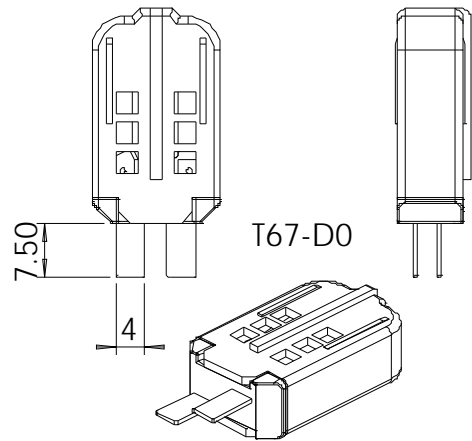
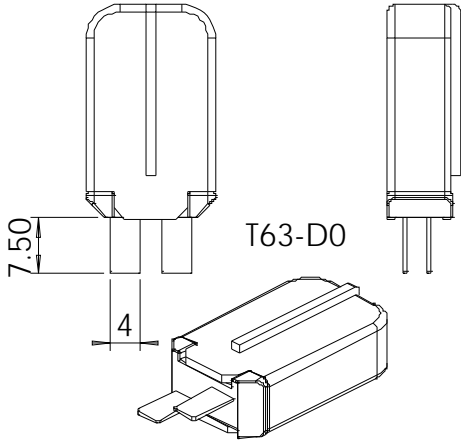
Issue 2 -
14/01/2003



T terminal variations

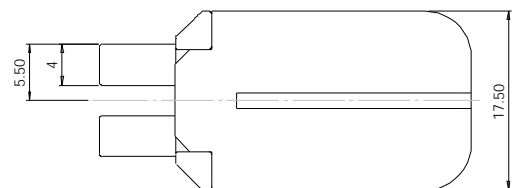
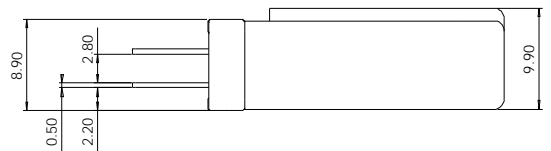
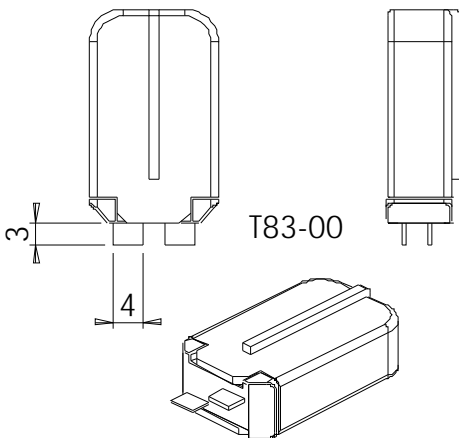


The T series can be produced both covered and uncovered with folded and cropped terminal options. Contact Sales Office to confirm availability.



T series package size

The view below shows basic design and overall size of T series.





Global representation



When contacting an Otter overseas representative, use international access code before number shown.

Australia M & D CONTROLS, PO Box 53, Kilsyth, Victoria 3137.
Tel/Fax: 61 3 9735 1749

Denmark CHEMO-ELECTRIC AS, Hammerholmen 39, DK-2650 Hvidovre.

E-mail: info@chemolec.dk

Tel: 45 36 773044 Fax: 45 36 773088

Finland EL-FRESTA OY AB, Ilmeentie 3, FIN-02140 Espoo.

E-mail: yrjo.vasenius@elfresta.fi

Tel: 358 9 547 66500 Fax: 358 9 547 66510

France/Italy SICCOM SA, Z.I. Les Bordes 2 - 6 rue Gustave Madiot 91922 BONDOUFLE CEDEX.

E-mail: commercial@siccom.fr

Tel: 331 6086 8798 Fax: 331 6086 8757

Germany/Austria/Switzerland ROGELEIN GmbH, Postfach 10 40 32, D-70035 Stuttgart.

E-mail: dieter.roegelein@roegelein.de

Tel: 49 711 187790 Fax: 49 711 1877910

Hong Kong/China/Taiwan OTTER CONTROLS ASIA LTD, Unit C,D, 14/F Spectrum Tower, 53 Hung To Rd, Kwun Tong, Kowloon

E-mail: angela@otterasia.com

Tel: 852 2 1913303 Fax: 52 2 1746992

India AURO CONTROLS PVT LTD,

Florina Apartment, 6th Floor,, S. No. 2/1/7, Erandwane, Off Karve Road,, Pune - 411 004 ,

Maharashtra , India,

E-mail: neelesh@aurocontrols.com

Tel: 91 20 433 4254/8173 Fax: 91 20 433 8173

Israel ELECTRIC INDUSTRIES LTD, PO Box 6560, Tel Aviv 61064.

E-mail: eindust@attglobal.net

Tel: 972 3 6046634 Fax: 972 3 5467452

Japan AOYAMA SPECIAL STEEL Co. Ltd 9-11, 2-Chome, Shinkawa, Chuo-Ku, Tokyo

E-mail: sales@aoyamasteel.co.jp

Tel: 81 3355 25255 Fax: 81 3 3553 1270

Korea YUHAN ACS, Room #819 Samil- Plaza Bldg, 837-26, Yeoksam-Dong, Kangnam-Ku, Seoul.

E-mail: mocom@yuhanacs.com

Tel: 82 2 555 6525 Fax: 82 2 555 4705

Malaysia TEAMTECH SDN BHD, No 12, TIB-1/2 Taman Industri Bolton, 68100 Batu Caves, Selangor Darul Ehsan. Tel: 60 3 61881228

Fax: 60 3 61889228

Norway HILLCO AGENTURER AS, Post Box 11, Leirdal, 1008 Oslo.

E-mail: halto@online.com

Tel: 47 23 17 52 80 Fax: 47 23 17 52 81

Poland TESKO, J Cybsa 8/37, PL-02-784 Warsaw.

Tel: 48 22 641 6282 Fax: 48 22 641 6282

Russia JOINT CONSULTING TRADING LTD, Sadovaja-Samotechnaja St 7 App 25, 103473 Moscow E

E-mail: ircar@itca.ru

Tel: 7 095 937 6334 Fax: 7 095 937 6332

Spain DULLAC IMPORT-EXPORT, c/Roure Gros 29, Pol. Ind. Mas d'en Cisa, 08181 Sentmnat

E-mail: gdejuan@dullac.com

Tel: 34 93 715 45 17 Fax: 34 93 715 45 39

Sweden Promoco AB, Box 273, S184 24 Vallentuna

E-mail: sec@promoco.se

Tel: 46 8 792 9151 Fax: 46 8 792 2090

USA DAVIDON INDUSTRIES INC, 205 Hallene Road, Unit 317C, Warwick Rhode Island 02886,

E-mail: ddinuccio@davidonindustries.com

Tel: 401 737 8380 Fax: 401 737 8395

Important Note:

The information contained within this Document is subject to Otter Terms and Conditions of Sale.



OTTER CONTROLS LIMITED, HARDWICK SQUARE SOUTH, BUXTON, DERBYSHIRE, SK17 6LA, UK

Tel: +44 [0] 1298 762300 Fax: +44 [0] 1298 72664

www.ottercontrols.com

e-mail: sales@ottercontrols.com

Page - 6

Issue 2 -
14/01/2003